

# LTC-6SQD SpectraSync

LITEISTRY 6" SQUARE CYLINDER WITH COLOR TUNING

LITEISTRY™

## FEATURES

- 6" architectural LED downlight cylinder delivering 600–2500 lm
- 4 beam distributions from 0.6 to 1.2 Spacing Criteria
- Quiet reflector appearance with 50° optical cutoff
- SpectraSync(TM) Color Tuning technology allows flexibility to tailor CCT to aesthetic preferences
- Available in Dim To Warm (2200K-3000K) or Tunable White (2700K-5000K or 2700K-6500K), 90 CRI
- Available in Surface, Wall, Pendant, or Cable/Cord Mount configurations
- Versatile canopy options for recessed and surface-mounted J-box applications
- Standard with 0-10V dimming to 5%



(Select Models)

## CONTROL TECHNOLOGY



## SPECIFICATIONS

### CONSTRUCTION

- Seamless heavy gauge aluminum cylinder body with a clean appearance
- Available in Surface (S), Wall (W), Pendant (P), or Cable/Cord (CM) mounting types
- Standard or Conduit Canopy options
- For S, P, or CM mounting with CC canopy options, use 4" octagonal junction box (by others)
- All Wall Mount: Die cast aluminum mounting arm allows direct mounting to standard 4" octagonal or square junction box
- Pendant Mount canopy options allow sloped ceiling up to 35°
- Select from 4 standard architectural painted finishes, Brushed Aluminum, or specified custom color

### OPTICS

- Visually pleasing 50° cutoff to source and source image
- The light distribution is free of distracting bright spots or pixelation and the perimeter has a smooth transition
- Optical grade silicone lens integral to light engine
- High purity four panel aluminum reflector, self-flanged
- Large selection of anodized finishes and colors
- Painted cones and flange options available

### ELECTRICAL

- LED array with 3 SDCM color consistency

- Dim to Warm (2200K-3000K) or Tunable White (2700K-5000K or 2700K-6500K) options available
- 90+ CRI standard
- Long LED life: L70 at >60,000 (TM-21)
- Universal voltage 120V-277V driver
- UL Class 2, inherent short circuit and overload protection, RoHS compliant
- Flicker free 0-10V dimming to 5%
- Refer to additional spec sheets for information on standard LITEISTRY or PowerHUBB™ PoE enabled solutions

### INSTALLATION

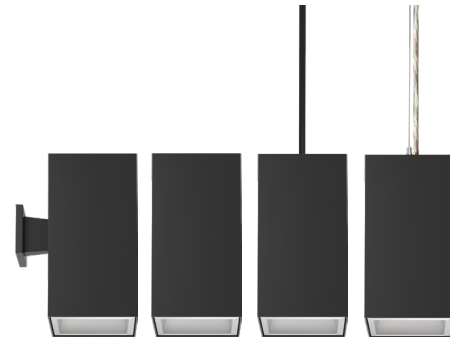
- Light Engine/Trim assembly is mechanically secured with torsion springs for ease of installation
- A quick connect is provided for easy maintenance or upgrade
- Recessed Mount Driver (RMD) is accessible from above or below ceiling; assembly mounts with 1/4-20 threaded rod (by others) and requires 6" plenum clearance
- Conduit Canopy options (CC) allow field selectable conduit entry (up to 4@ 90 deg) (See Dimensions section)
- Conduit Canopies utilize a patent pending mounting yoke to secure cylinder to the ceiling surface
- Cable/Cord can be cut in the field to custom length
- Standard and Custom Pendant lengths available (specify when ordering)

### CERTIFICATIONS

- cCSAus certified to UL 1598
- Wall Mount up to 10L (except CC): Suitable for wet locations
- Pendant Mount up to 10L (except CC): Suitable for wet locations under covered ceiling
- 15L–25L Pendant & Wall, all Surface & Cable/Cord Mount and all CC: Suitable for damp locations
- This product qualifies as a “designated country construction material” per FAR 52.225-11 Buy American-Construction. Materials under Trade Agreements effective 6/6/2020. See Buy American Solutions.

### WARRANTY

- 5 year warranty
- See HLI Standard Warranty for additional information



### RELATED PRODUCTS

Ø 3" LITEISTRY Family

Ø 4" LITEISTRY Family

Ø 6" LITEISTRY Family

KEY DATA	
Lumen Range	600–2500
Wattage Range	10–38
Efficacy Range (LPW)	49–60*
Reported Life (Hours)	L70 / >60,000
Input Current Range (mA)	83–317 (120V)

\*Based on Specular, 30K, 90 CRI



# LTC-6SQD SpectraSync

LITEISTRY 6" SQUARE CYLINDER WITH COLOR TUNING

DATE: \_\_\_\_\_ LOCATION: \_\_\_\_\_

TYPE: \_\_\_\_\_ PROJECT: \_\_\_\_\_

CATALOG #: \_\_\_\_\_

## ORDERING GUIDE

Example: LTC-6SQD-P-15L2230TD9WD-DMTW-SS-WH

CATALOG #

LTC-6SQD		Cylinder Mounting		Canopy Option		Lumen Output		CCT		CRI	
<b>Aperture/Shape/Function</b>		<b>S</b> Surface		<i>Refer to chart on Page 3 for available canopy options based on driver/controls selection</i>		<b>06L</b> 600 Lumens <sup>3</sup>		<b>2230TD</b> 2200K-3000K SpectraSync™		<b>9</b> 90+ CRI	
LTC-6SQD 6" Square Downlight Cylinder		<b>W</b> Wall				<b>10L</b> 1000 Lumens <sup>3</sup>		<b>2750T</b> 2700K-5000K SpectraSync™ Tunable White		<b>2765T</b> 2700K-6500K SpectraSync™ Tunable White	
		<b>P</b> Pendant (Standard) Nominal 18" length from cylinder top to ceiling <sup>8</sup>		<i>Standard Canopy <sup>3,7</sup></i>		<b>15L</b> 1500 Lumens <sup>3,6</sup>					
		<b>P_</b> Pendant (Custom) Specify length from cylinder top to ceiling in 1 inch increments from 15 to 60 <sup>8</sup>		<b>CC</b> Conduit Canopy <sup>3,7</sup>		<b>20L</b> 2000 Lumens <sup>3,6</sup>					
		<b>Cable/Cord <sup>5</sup></b>				<b>25L</b> 2500 Lumens <sup>3,6</sup>					
		<b>CM</b> 6ft Clear Cord									
		<b>CMBL</b> 6ft Black Cord									
		<b>CMWH</b> 6ft White Cord									
		<b>CM15</b> 15ft Clear Cord									
		<b>CM15BL</b> 15ft Black Cord									
		<b>CM15WH</b> 15ft White Cord									

Distribution		Driver Options		Voltage		Reflector Finish		Reflector Color	
<b>NR</b> Narrow (0.6 SC/36°)		<b>DMTW</b> SpectraSync™ Dim to Warm, 0-10V Dimming to 5% <sup>1,3</sup>		<i>Standard 120-277V</i>		<i>Finish not applicable with painted reflectors (WC or BC)</i>		<i>Standard Clear</i>	
<b>MD</b> Medium (0.7 SC/43°)		<b>DMT</b> SpectraSync™ Tunable White, 0-10V Dimming to 5% <sup>2,3</sup>						<b>CG</b> Champagne Gold	
<b>WD</b> Wide (1.0 SC/65°)						<b>BL</b> Black		<b>LW</b> Light Wheat	
<b>XW</b> Extra Wide (1.2 SC/69°)						<b>S</b> Specular		<b>PW</b> Pewter	
						<b>SS</b> Semi-Specular		<b>WC</b> Painted White Cone and Flange	
						<b>VS</b> Softglow®		<b>BC</b> Painted Black Cone and Flange	
						<b>VSS</b> SoftSheen™			

Flange Color Options		Exterior Cylinder Color	
<i>Standard matches reflector color</i>		<b>BA</b> Brushed Aluminum <sup>9</sup>	
<b>WT</b> White Flange <sup>4</sup>		<b>BZ</b> Bronze	
<b>BT</b> Black Flange <sup>4</sup>		<b>BL</b> Matte Black	
		<b>WH</b> Matte White	
		<b>SVR</b> Silver	
		<b>CC_</b> Custom Color (Specify RAL#, Example: CCRAL1073)	
		<b>TCC_</b> True Custom Color (Specify description, Example: TCC BABY BLUE, Paint chip must be provided to match)	

Notes:

- 1 Must select 2230TD with DMTW driver.
- 2 Must select either 2750T or 2765T with DMT driver.
- 3 For lumen outputs/configurations available, see chart on page 3.
- 4 WT not needed for WC, BT not needed for BC.
- 5 Cable/Cord can be cut in the field to custom length.
- 6 15L-25L require vented cylinder. Not available with WW.
- 7 See Dimensions section for canopy configuration details.
- 8 Stem length varies by canopy configuration. See Dimensions section for details.
- 9 Canopy color for Brushed Aluminum is Black.

# LTC-6SQD SpectraSync

LITEISTRY 6" SQUARE CYLINDER WITH COLOR TUNING

## DRIVER/CONTROL OPTION AVAILABILITY

Driver and Control options listed below are available in the configurations and lumen packages as shown.

Driver/Control Option		Cylinder Mounting <sup>1</sup>	Canopy Options <sup>2</sup>	06L	10L	15L	20L	25L
DMT	0-10V 5%	W	Standard/CC	●	●	▼	▼	▼
		P/S/CM	Standard/CC	●	●	▼	▼	▼
DMTW	0-10V 5%	W	Standard/CC	●	●	▼	▼	▼
		P/S/CM	Standard/CC	●	●	▼	▼	▼

- ▼ Vented cylinder required, see line art for more details.
- 1 See Cylinder Mounting chart.
- 2 See Canopy Options chart and Dimensions section for details.

Cylinder Mounting	
W	Wall Mount
S	Surface Mount
CM	Cable/Cord Mount
P	Pendant Mount

Canopy Options	
(Blank)	Standard Canopy
CC	Conduit Canopy

## CONTROLS

### SpectraSync™ Color Tuning Technology:

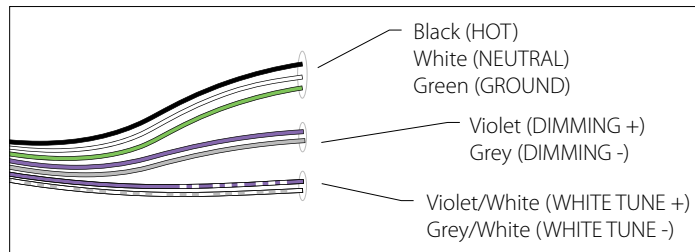
Control your space based on the needs of the application, specific activities throughout the day and preferences of the occupants with distinct SpectraSync™ Color Tuning Technologies.



SPECTRASYNCH COLOR TUNING TECHNOLOGY		
Mode	Kelvin Range	Description
Dim to Warm	2200K-3000K	Mimics the familiar warming effect that occurs with traditional incandescent sources as they are dimmed
Tunable White	2700K-5000K 2700K-6500K	Offers users the ability to tailor CCT to their personal preference, enhancing task visibility, material and colors or the aesthetics of the space
Scheduled White	2700K-5000K 2700K-6500K	Mimics the rhythm of natural light or follows an alternative user-defined schedule throughout the day, enhancing an occupant's mood and well-being

### SpectraSync Tunable White

Available in two options: 2750T (2700K–5000K) or 2765T (2700K–6500K). Requires two 0–10V controllers, one for intensity and one for CCT. Minimum 5% dimming.

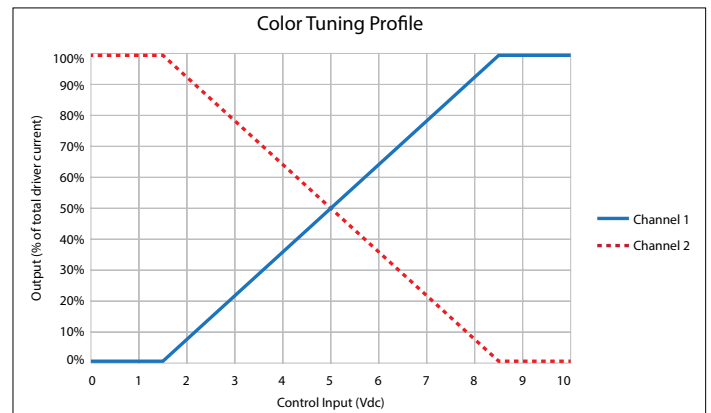


SpectraSync Tunable White luminaires are provided with two 0–10V circuits. The violet and grey circuit is for wiring to any qualified 0–10V controller for dimming. The violet/white and grey/white circuit is for wiring to any qualified 0–10V controller for Tunable White CCT control.

### Controller Manufacturer Data

SpectraSync Tunable White was designed to be used with sinking style dimmers (provided by others) and is compatible with:

- Hubbell Control Solutions (HCS): NX Distributed Intelligence™ Room Controllers (NXRC) and In-fixture Controllers (NXFM)
- Lutron: DDTV, DVSTV, and NFTV dimmers
- Wattstopper: ADF120277 and CD4BL (Titan) dimmers



To enable scheduling and for use with NX wall control preset stations please refer to Hubbell Control Solutions NX SpectraSync technical sheet.



# LTC-6SQD SpectraSync

LITEISTRY 6" SQUARE CYLINDER WITH COLOR TUNING

DATE: \_\_\_\_\_ LOCATION: \_\_\_\_\_

TYPE: \_\_\_\_\_ PROJECT: \_\_\_\_\_

CATALOG #: \_\_\_\_\_

## PERFORMANCE DATA TABLE

Performance data provided below is for 3000K, 90 CRI with Specular Clear reflector finish/color

Lumen Package	Nominal Lumens	Distribution	Delivered Lumens	Watts	LPW
06L	600	Narrow	645	10.0	65
		Medium	641	10.0	64
		Wide	587	10.0	59
		Extra Wide	571	10.0	57
10L	1000	Narrow	1031	18.0	57
		Medium	1024	18.0	57
		Wide	938	18.0	52
		Extra Wide	913	18.0	51
15L	1500	Narrow	1481	25.0	59
		Medium	1472	25.0	59
		Wide	1348	25.0	54
		Extra Wide	1311	25.0	52
20L	2000	Narrow	2035	36.0	57
		Medium	2023	36.0	56
		Wide	1853	36.0	51
		Extra Wide	1802	36.0	50
25L	2500	Narrow	2474	38.0	65
		Medium	2459	38.0	65
		Wide	2252	38.0	59
		Extra Wide	2191	38.0	58

# LTC-6SQD SpectraSync

LITEISTRY 6" SQUARE CYLINDER WITH COLOR TUNING

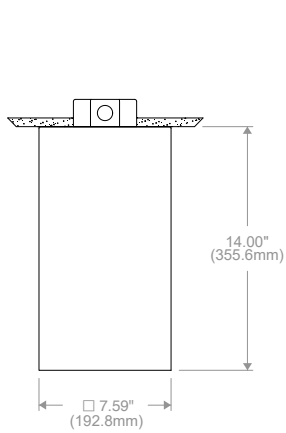
## DIMENSIONS

DATE: \_\_\_\_\_ LOCATION: \_\_\_\_\_

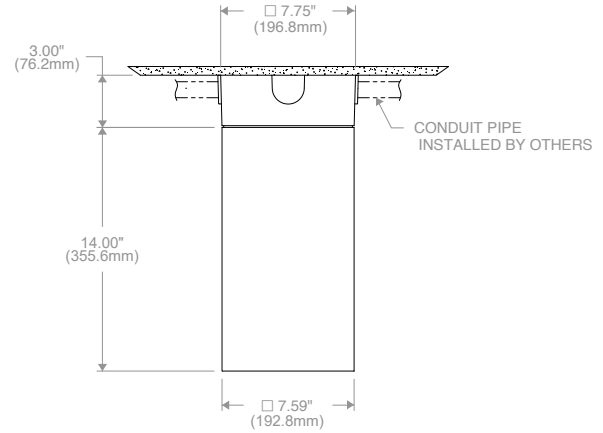
TYPE: \_\_\_\_\_ PROJECT: \_\_\_\_\_

CATALOG #: \_\_\_\_\_

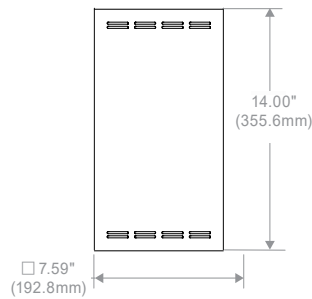
### SURFACE (S)



**Surface  
Standard Canopy  
S**



**Surface  
Conduit Canopy  
SCC**



**Vented Detail View  
(15L - 25L)  
(All Mountings)**

# LTC-6SQD SpectraSync

LITEISTRY 6" SQUARE CYLINDER WITH COLOR TUNING

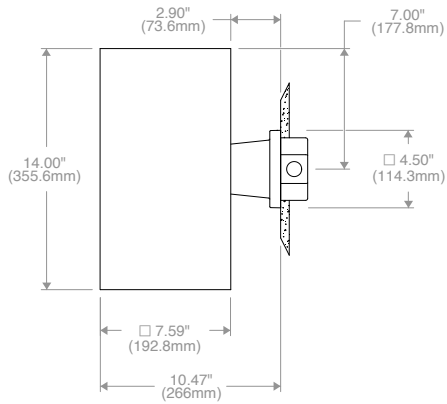
## DIMENSIONS

DATE: \_\_\_\_\_ LOCATION: \_\_\_\_\_

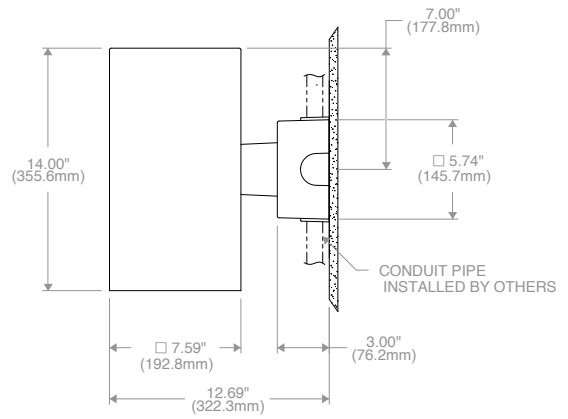
TYPE: \_\_\_\_\_ PROJECT: \_\_\_\_\_

CATALOG #: \_\_\_\_\_

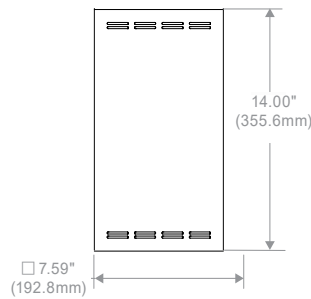
### WALL (W)



**Wall  
Standard Canopy  
W**



**Wall  
Conduit Canopy  
WCC**



**Vented Detail View  
(15L - 25L)  
(All Mountings)**

# LTC-6SQD SpectraSync

LITEISTRY 6" SQUARE CYLINDER WITH COLOR TUNING

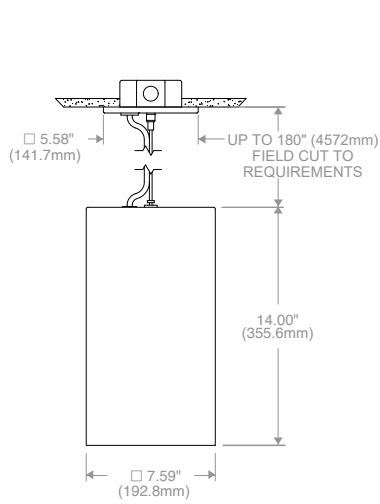
## DIMENSIONS

DATE: \_\_\_\_\_ LOCATION: \_\_\_\_\_

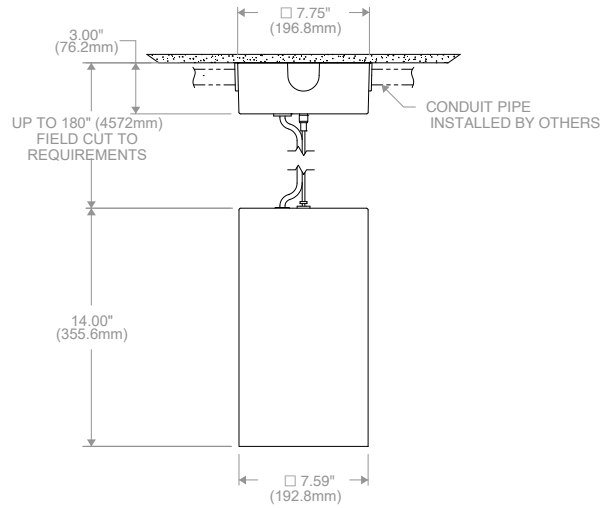
TYPE: \_\_\_\_\_ PROJECT: \_\_\_\_\_

CATALOG #: \_\_\_\_\_

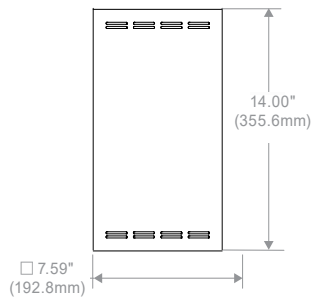
### CABLE/CORD (CM)



**Cable/Cord  
Standard Canopy  
CM**



**Cable/Cord  
Conduit Canopy  
CMCC**



**Vented Detail View  
(15L - 25L)  
(All Mountings)**

# LTC-6SQD SpectraSync

LITEISTRY 6" SQUARE CYLINDER WITH COLOR TUNING

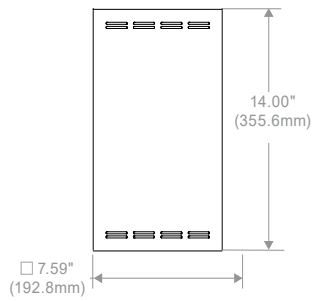
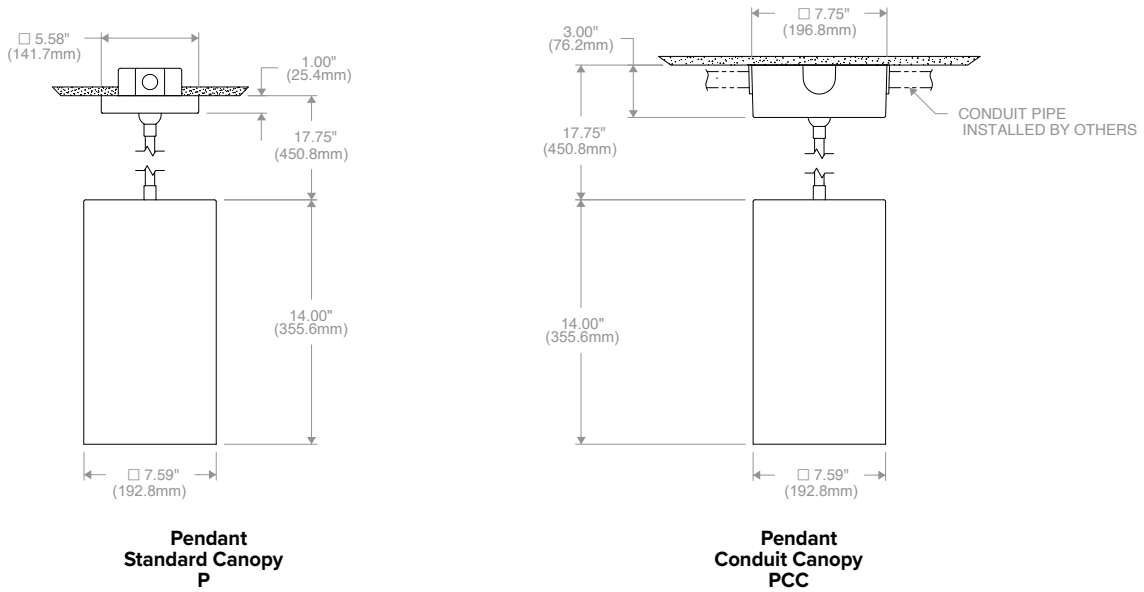
## DIMENSIONS

DATE: \_\_\_\_\_ LOCATION: \_\_\_\_\_

TYPE: \_\_\_\_\_ PROJECT: \_\_\_\_\_

CATALOG #: \_\_\_\_\_

### PENDANT (P)

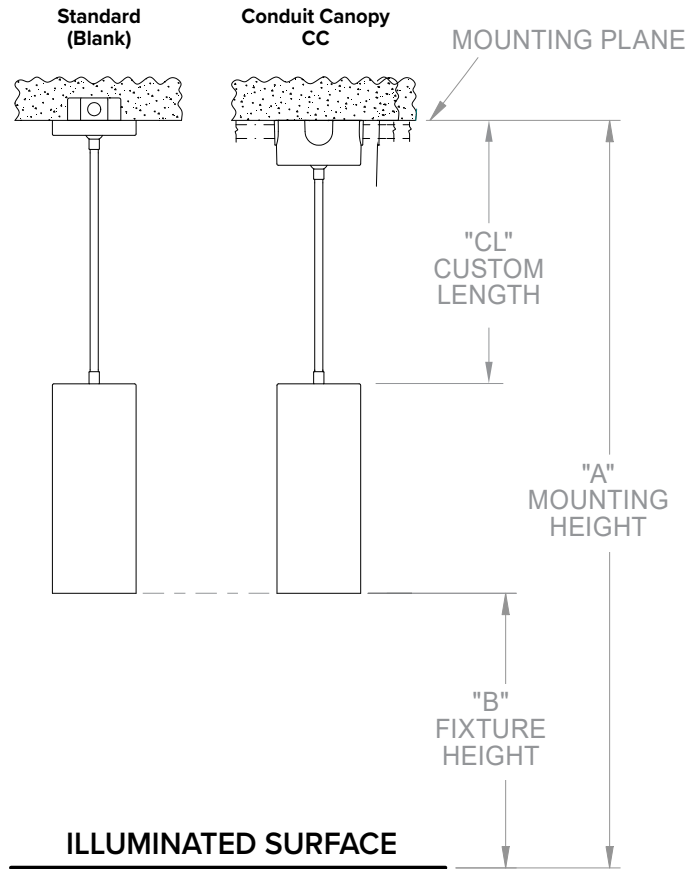


**Vented Detail View  
(15L - 25L)  
(All Mountings)**



**DIMENSIONS**

**PENDANT CUSTOM LENGTH**



Custom Length (CL) = Mounting Height (A) - Fixture Height (B) - 14" Cylinder

Ordering Example:

A (120") - B (72") - 14" = 34" Custom Length  
LTC-6SQD-P34

# LTC-6SQD SpectraSync

LITEISTRY 6" SQUARE CYLINDER WITH COLOR TUNING

DATE: \_\_\_\_\_ LOCATION: \_\_\_\_\_

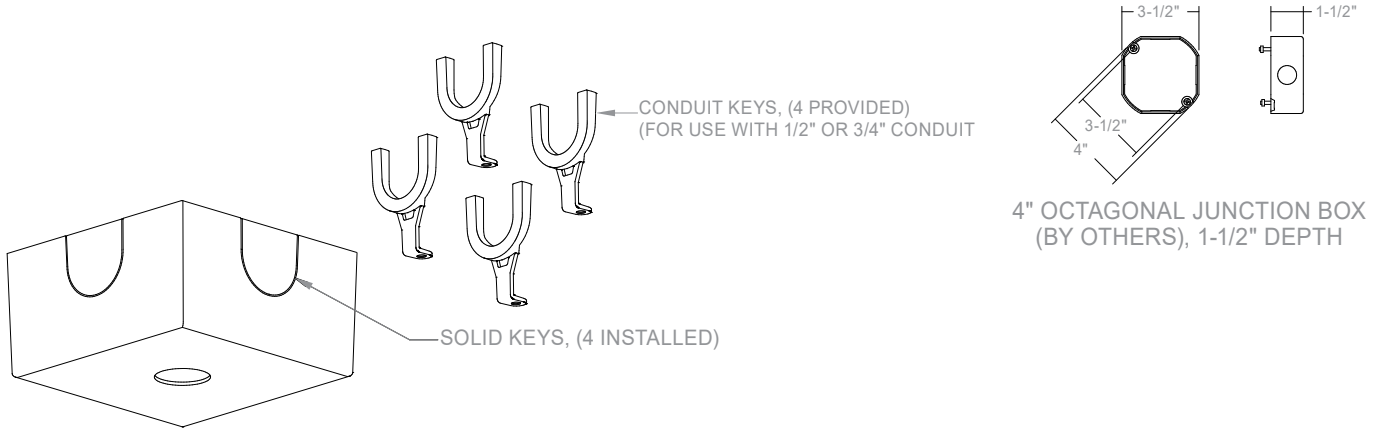
TYPE: \_\_\_\_\_ PROJECT: \_\_\_\_\_

CATALOG #: \_\_\_\_\_

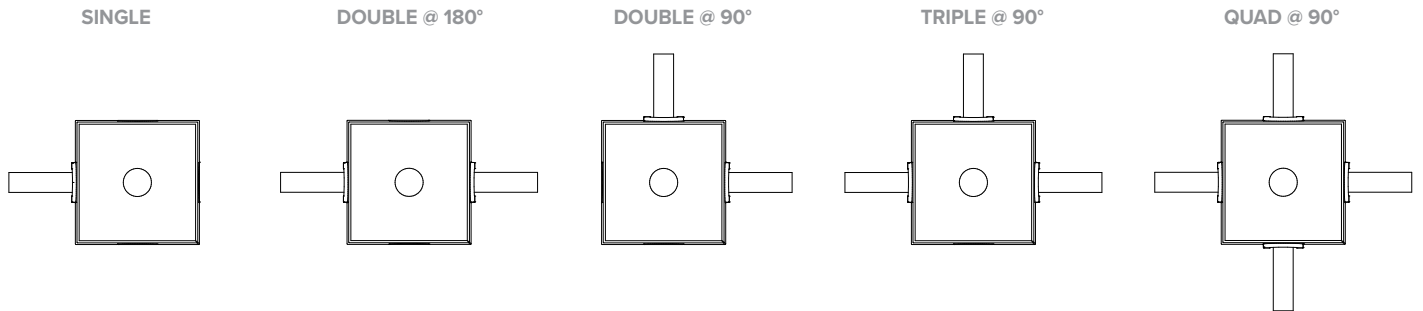
## DIMENSIONS

### CONDUIT CANOPY DETAILS

CC and PCC Conduit Canopy options come standard with (4) Solid Keys installed and (4) Conduit Keys provided.  
Accommodates a 4" octagonal junction box with 1-1/2" depth (by others).



### CONDUIT MOUNTING EXAMPLES - FIELD INTERCHANGEABLE



# LTC-6SQD SpectraSync

LITEISTRY 6" SQUARE CYLINDER WITH COLOR TUNING

## PHOTOMETRY

### LTC-6SQD-P-20L2765T9NR-DMT-S-BL

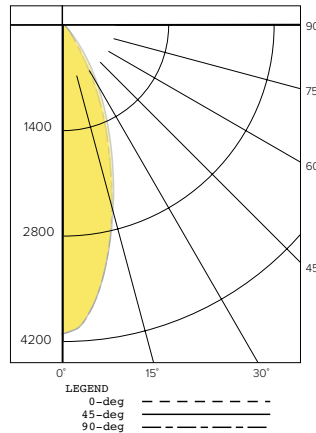
#### LUMINAIRE DATA

Test No.	R19.00935-C21
Description	2000 lm, Narrow, 3000K, 90 CRI
Delivered Lumens	2035
Watts	35.3W
Efficacy	58.0
Mounting	Recessed
Spacing Criterion	0.6
Beam Angle (FWHM)	43

#### ZONAL LUMEN SUMMARY

Zone	Lumens	% Luminaire
0-40	1919	94.3
0-60	2028	99.7
0-90	2035	100.0
0-180	2035	100.0

#### POLAR GRAPH



#### CANDELA DISTRIBUTION

Degree	Candela - 0	Candela - 45	Candela - 90
0	4127	4127	4127
5	3890	3892	3890
15	2530	2597	2535
25	1205	1389	1214
35	309	567	311
45	89	121	91
55	17	23	17
65	4	5	4
75	2	2	2
85	0	1	0
90	0	0	0

### LTC-6SQD-P-20L2765T9MD-DMT-S-BL

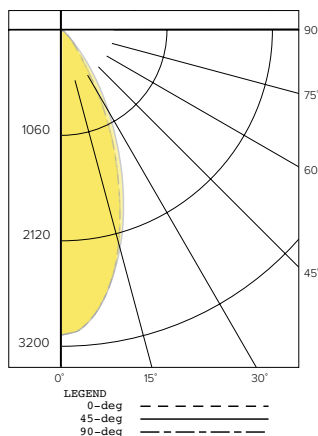
#### LUMINAIRE DATA

Test No.	R19.01046-C21
Description	2000 lm, Medium, 3000K, 90 CRI
Delivered Lumens	2023
Watts	35.3W
Efficacy	57.0
Mounting	Recessed
Spacing Criterion	0.7
Beam Angle (FWHM)	65

#### ZONAL LUMEN SUMMARY

Zone	Lumens	% Luminaire
0-40	1891	93.5
0-60	2016	99.7
0-90	2023	100.0
0-180	2023	100.0

#### POLAR GRAPH



#### CANDELA DISTRIBUTION

Degree	Candela - 0	Candela - 45	Candela - 90
0	3315	3315	3315
5	3197	3198	3196
15	2392	2447	2386
25	1272	1460	1270
35	378	627	378
45	103	142	103
55	18	27	18
65	4	5	5
75	2	2	2
85	0	1	0
90	0	0	0

### LTC-6SQD-P-20L2765T9WD-DMT-S-BL

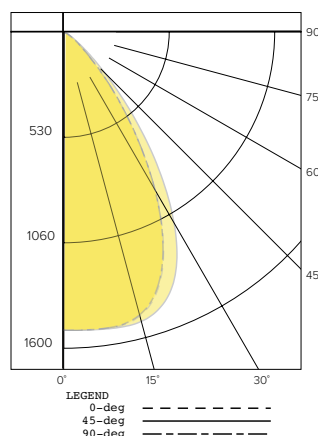
#### LUMINAIRE DATA

Test No.	R19.00936-C21
Description	2000 lm, Wide, 3000K, 90 CRI
Delivered Lumens	1853
Watts	35.3W
Efficacy	52.0
Mounting	Recessed
Spacing Criterion	1.0
Beam Angle (FWHM)	69

#### ZONAL LUMEN SUMMARY

Zone	Lumens	% Luminaire
0-40	1613	87.0
0-60	1843	99.5
0-90	1853	100.0
0-180	1853	100.0

#### POLAR GRAPH



#### CANDELA DISTRIBUTION

Degree	Candela - 0	Candela - 45	Candela - 90
0	1548	1548	1548
5	1552	1553	1552
15	1525	1556	1518
25	1218	1369	1210
35	640	835	636
45	187	281	189
55	28	49	29
65	5	6	5
75	3	3	3
85	1	1	1
90	0	0	0

# LTC-6SQD SpectraSync

LITEISTRY 6" SQUARE CYLINDER WITH COLOR TUNING

## PHOTOMETRY CONTINUED

### LTC-6SQD-P-20L2765T9XW-DMT-S-BL

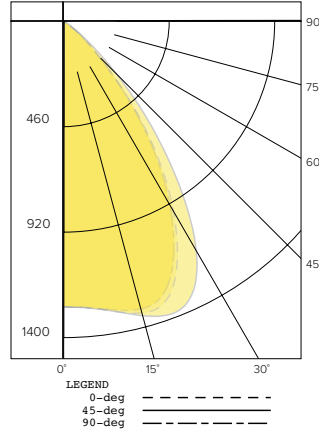
#### LUMINAIRE DATA

Test No.	R19.01047-C21
Description	2000 lm, Extra Wide, 3000K, 90 CRI
Delivered Lumens	1802
Watts	35.3W
Efficacy	51.0
Mounting	Recessed
Spacing Criterion	1.2
Beam Angle (FWHM)	69

#### ZONAL LUMEN SUMMARY

Zone	Lumens	% Luminaire
0-40	1523	84.5
0-60	1792	99.4
0-90	1802	100.0
0-180	1802	100.0

#### POLAR GRAPH



#### CANDELA DISTRIBUTION

Degree	Candela - 0	Candela - 45	Candela - 90
0	1235	1235	1235
5	1244	1245	1243
15	1306	1318	1289
25	1163	1310	1127
35	707	885	681
45	223	335	219
55	33	58	33
65	6	7	6
75	3	3	3
85	1	1	1
90	0	0	0

# LTC-6SQD SpectraSync

LITEISTRY 6" SQUARE CYLINDER WITH COLOR TUNING

DATE: \_\_\_\_\_ LOCATION: \_\_\_\_\_

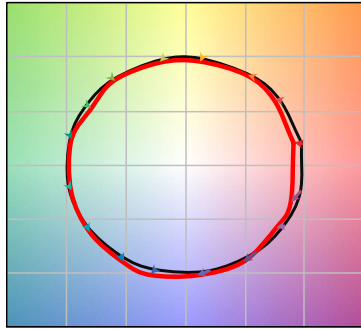
TYPE: \_\_\_\_\_ PROJECT: \_\_\_\_\_

CATALOG #: \_\_\_\_\_

## TM-30 DATA

### SPECTRASYNCTM TUNABLE WHITE (2765T)

COLOR VECTOR GRAPHIC  
2700K, 90+ CRI

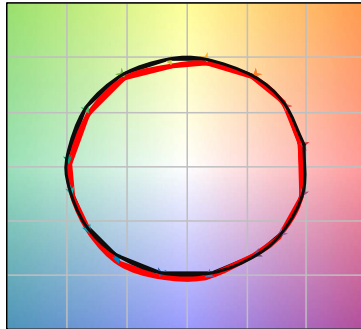


— Reference Illuminant — Test Source

COLOR DISTORTION GRAPHIC  
2700K, 90+ CRI



COLOR VECTOR GRAPHIC  
4600K, 90+ CRI

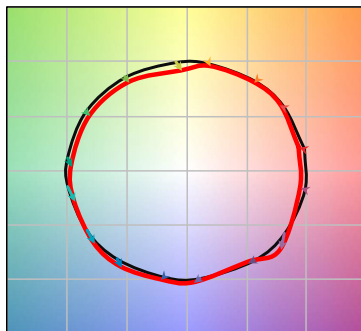


— Reference Illuminant — Test Source

COLOR DISTORTION GRAPHIC  
4600K, 90+ CRI



COLOR VECTOR GRAPHIC  
6500K, 90+ CRI



— Reference Illuminant — Test Source

COLOR DISTORTION GRAPHIC  
6500K, 90+ CRI



TEST RESULTS - TUNABLE WHITE @ 1500 LUMENS (NOMINAL)			
Value	2700K	4600K	6500K
Luminous Flux (lm)	1407	1604	1660
Wattage (W)	23.9	24.3	24.6
Efficacy (lm/W)	59	66	68
R <sub>f</sub>	90	89	87
R <sub>g</sub>	97	98	96
CCT (K)	2817	4588	6518
D <sub>UV</sub>	-0.0013	-0.0040	0.0018
x	0.4482	0.3565	0.3131
y	0.4047	0.3531	0.3273
CIE R <sub>a</sub>	91	95	94
CIE R <sub>g</sub>	47	81	76

# LTC-6SQD SpectraSync

LITEISTRY 6" SQUARE CYLINDER WITH COLOR TUNING

## ELECTRICAL DATA

DRIVER DATA	
Input Voltage	120-277 V
Input Frequency	50/60 Hz
Power Factor	≥0.90
THD	<20%
EMI Filtering (FCC 47 CFR Part 15)	Class A
Operating Temperature	-20° C to 40° C

WATTAGE DATA		
Lumen Output	Nominal Lumens	WATTAGE
06L	600	10
10L	1000	18
15L	1500	25
20L	2000	36
25L	2500	38

\* Wattage may vary based on configuration and options selected

## ADDITIONAL INFORMATION

### Central Inverters

For full fixture output in back-up mode, we recommend you visit [www.dual-lite.com](http://www.dual-lite.com) for your Central Lighting Inverter options. Please contact your local Hubbell representative for any assistance with proper sizing and loading of your inverter selection. Central lighting inverters must be ordered separately.

LiteGear: [www.dual-lite.com/products/litegear\\_lg\\_series](http://www.dual-lite.com/products/litegear_lg_series)

LPS Series: [www.dual-lite.com/products/lps](http://www.dual-lite.com/products/lps)